

# iVISION+



## ADVANCED **WIRELESS** INTERCOM SYSTEM WITH VIDEO



Accepts Multiple Stations



Battery Powered



Door Release Capability



Optional Gateway



Micro USB



Increased Storage Capacity



# Protection for



## Advanced **WIRELESS** Intercom System With Video

iVision+ gives you the ability to view and talk to somebody outside your (front) door from the safety and comfort of any location inside your home or business. The iVision+ wireless intercom package includes a convenient wireless handheld unit with LCD monitor and a wireless doorbell/camera unit with up to 100m transmission range. The iVision+ package can be expanded to a complete system, allowing for multiple handheld units, multiple doorbell/camera units, and the ability to remotely release electronic door locks through a gateway/chime unit. iVision+ is a scalable wireless intercom system that protects access to your home or office.



### No More Missed Visitors

The iVision+ allows you to know when guests arrive at your door, and speak with them, from the convenience of multiple locations on your property.

### No More Unwanted Guests

You never have to trust a peephole view or answer the door blindly again. In both residential and commercial applications, the iVision+ keeps you safe from unwanted guests.







# iVISION+

Advanced WIRELESS Intercom System With Video



Accepts Multiple Stations



Battery Powered



Door Release Function

## Specifications

Model: OPTEX iVision+ (IVP-HU) Handheld Monitor Unit	
Operating Temperature	0° to 40°C
Operating Humidity	< 90% RH (no condensation)
Dust/Water Protection	N/A (Indoor Use Only)
Radiowave Frequency	2.4 GHz
Power	Power Adaptor 5.5V

Model: OPTEX iVision+ (IVP-DU) Door Camera Unit	
Operating Temperature	-20° to 50°C
Operating Humidity	< 90% RH (no condensation)
Dust/Water Protection	N/A (Water Drain Structure)
Radiowave Frequency	2.4 GHz
Camera/Lighting Unit	Color vision / IR lighting LED
Power	Battery (3 AA batteries) or AC/DC 10-24V
Battery Life Expectancy	12 month*
Storage Temperature	-30° to 70°C

\* Based on 3 activations (approx. 10sec) per day

### ADDITIONAL ACCESSORY

Model: OPTEX iVision+ (IVP-GU) Gateway Unit	
Operating Temperature	0° to 40°C
Operating Humidity	< 90% RH (no condensation)
Dust/Water Protection	N/A (Indoor Use Only)
Radiowave Frequency	2.4 GHz and 418MHz (with WSS2000 device)
Power	Power Adaptor 5V or AC/DC 10-24V

**NOTE:** Specifications may change without notice. iVision+, IVP-HU, IVP-DU and IVP-GU are not theft prevention units. OPTEX cannot be held liable for a theft, should it occur.

## Features

### iVISION+ Advanced wireless Intercom system with video

#### SYSTEM FEATURES

- Transmission range up to 100m, line of sight
- Digital voice/image transmission
- Multi-unit expandability up to four handheld units (IVP-HU) and two door units (IVP-DU)
- Snap/auto image recording
- Active browse function allows user to activate camera before the door unit button is pressed (the door unit needs to be powered externally for this function)
- Door release with 'Open Door' button<sup>1</sup>

#### IVP-HU HANDHELD UNIT FEATURES

- 2.4 inch LCD Monitor
- Wall mountable charging cradle with rechargeable battery
- Maximum four units to a system
- Micro-USB port PC connection allows user to view and download images (micro-USB cable not included)

#### IVP-DU DOOR UNIT FEATURES

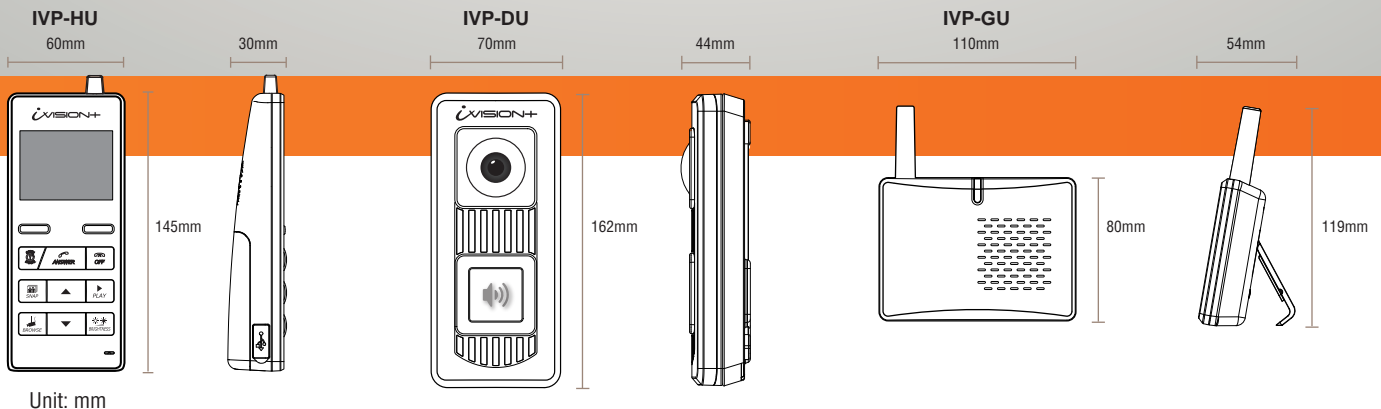
- Adjustable camera angle
- Battery operated capability (Avg. 1yr. battery life<sup>2</sup>, 3x AA batteries not included)
- Hardwired Capability (AC/DC, 1 0-24V)
- Auto day (colour)/night (IR) Vision
- Maximum two units to a system
- Fluorescent push button
- Splash proof for rain and outdoor conditions

#### IVP-GU GATEWAY UNIT (optional)

- Additional wireless chime for door unit system
- Remote door release capability when integrated with a door locking system<sup>1</sup> (wired connection)

<sup>1</sup>Additional door locking hardware required for door release feature

<sup>2</sup>Based on three activations per day



#### OPTEX (EUROPE) LIMITED

EMEA Headquarters  
 T: +44 (0)1628 631 000  
 Dubai branch  
 T: +971 (0)4 501 53 94  
 E: marketing@optex-europe.com  
 www.optex-europe.com

#### (France, Germany, Austria, Switzerland and North Africa)

OPTEX Security SAS  
 T: +33-437-55-50-50  
 E: contact@optex-security.com  
 www.optex-security.com

#### (Eastern Europe)

Optex Security Sp. z o.o.  
 T: +48 (22) 598 06 60  
 E: optex@optex.com.pl  
 www.optex.com.pl

#### (Benelux)

OPTEX Technologies B.V.  
 T: +31 70 4194100  
 E: info@optex.nl  
 www.optex.nl